

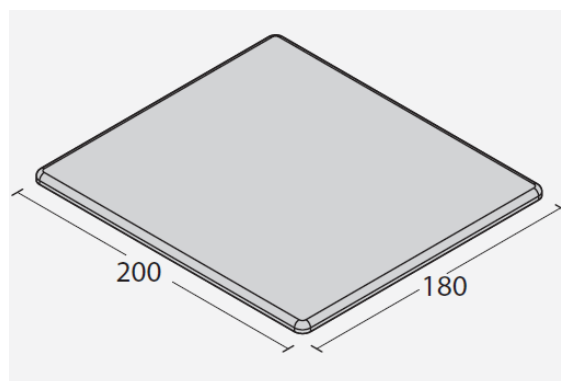
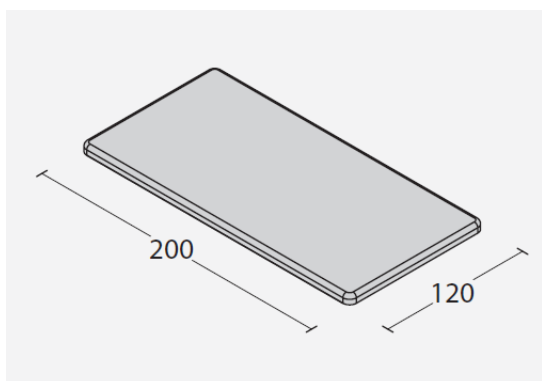
The **ADE** couch is a 1-section, fixed height couch.
This professional couch is suitable for the Bobath
method.



Adjustable foot

TECHNICAL SPECIFICATIONS

Sections	1
Under bed clearance	50 cm
Width	120 or 180 cm
Length	200 cm
Height	50 cm
Max working load, evenly distributed	200 kg
Adjustable foot	1
Weight	50 kg



FISIOTECH SRL

Operating Headquarters: Via Toniolo, 44/E-F - 31028 Vazzola (TV) - ITALY

Registered Office: Via Valdoni, 19 - 31013 Cimavilla di Codognè (TV) - ITALY

Tel. +39 0438470342 - Fax +39 0438478762 - mail : info@fisiotech.com - pec :

fisiotech@emailsec.it

VAT Number IT 03765100262 - Rea TV 296956

ADE COUCH MODELS

Description	Code
Ade Width 120 cm.	1113R15S0N
Ade Width 180 cm.	1113R16S0N

TECHNICAL SPECIFICATIONS – PADDING

Name of material	Polyurethane foam
Reaction to fire class	1 IM (highest)
Density	30 kg/m ³
Height	40 mm



AVAILABLE UPHOLSTERY COLOURS



Beige P1



Light grey G2



Taupe P2



Dark grey G3



Yellow G1



Mustard G4



Orange A1



Red R1



Burgundy B2



Violet V4



Dark blue B3



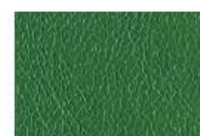
Blue B1



Dark brown M1



Earth M2



Green V1



Forest green V2



Leaf green V3



Black N1

FISIOTECH SRL

Operating Headquarters: Via Toniolo, 44/E-F - 31028 Vazzola (TV) - ITALY

Registered Office: Via Valdoni, 19 - 31013 Cimavilla di Codognè (TV) - ITALY

Tel. +39 0438470342 - Fax +39 0438478762 - mail : info@fisiotech.com - pec :

fisiotech@emailsec.it

VAT Number IT 03765100262 - Rea TV 296956

TECHNICAL SPECIFICATIONS – UPHOLSTERY

FEATURE	TEST METHOD	UNIT	LIMIT VALUE
Tensile strength	UNI EN ISO 1421 Method 1	N	Lengthwise ≥ 210 Crosswise ≥ 90
Elongation strength	UNI EN ISO 1421 Method 1	%	Lengthwise ≥ 85 Crosswise ≥ 140
Determination of tear force	EN ISO 13937-2: 2000	daN	Lengthwise $\geq 2,5$ Crosswise $\geq 2,2$
Colour fastness to crocking	UNI EN ISO 105 X12: 2003 UNI EN ISO 105 D02: 1998	grey scale	Dry 4 Bleach 4/5 Ethyl alcohol 3/4
Determination of abrasion resistance: Martindale abrader	UNI EN ISO 5470-2: 2004	cycles	Method 1 (direct) 65.000 Method 2 (reverse) 210.000
Reaction ignition Fireproof class	UNI 9175: 1987 UNI 9175/FA1: 1994		CLASSE 1.IM
Free and hydrolyzed formaldehyde	UNI EN ISO 14184-1: 2011	mg/Kg	< 3
Phtalates	UNI EN ISO 14389: 2014	%	< 0,06
Arylamines	UNI EN ISO 14362-1: 2012	mg/Kg	Not detectable
Cleaning	Clean with damp soapy cloth and rinse well with clean water. Do not use solvents, bleaches, synthetic detergents, polishes or aerosol spray.		
Specific features	Antibacterial Fingicide		
Composition	Plasticised PVC 88% - Polyester 12%		

FIRE RESISTANCE ACCORDING TO:
IMO - 2010 FTP CODE Part 8
"Test for upholstered furniture"
par 7.2 SMOULDERING CIGARETTE TEST
par 7.3 PROPANE FLAME TEST
EN 1021-1: 2006 smouldering cigarette test
EN 1021-2: 2006 match flame equivalent test

FISIOTECH SRL

Operating Headquarters: Via Toniolo, 44/E-F - 31028 Vazzola (TV) - ITALY

Registered Office: Via Valdoni, 19 - 31013 Cimavilla di Codognè (TV) - ITALY

Tel. +39 0438470342 - Fax +39 0438478762 - mail : info@fisiotech.com - pec :

fisiotech@emailsec.it

VAT Number IT 03765100262 - Rea TV 296956