

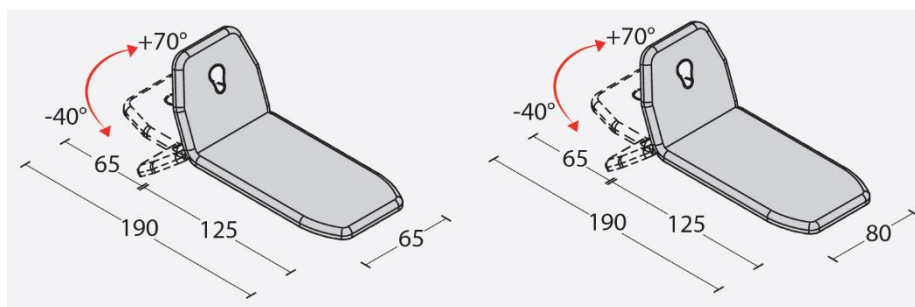
The **GIOVE 1** couch is a two-section couch. The height can be adjusted electrically or hydraulically. This couch is suitable for physical therapy, massage therapy, and examination.

Thanks to its structure, height can be adjusted without lateral offset.



## TECHNICAL SPECIFICATIONS

Sections	2
Under bed clearance	12 cm
Lateral offset	0 cm
Width	65 or 80 cm
Length	190 cm
Max working load, evenly distributed	200 kg
Height	49 - 95 cm
Power supply	230 V 50/60 Hz 1,5A
Actuator thrust	8000 N
IP Code	IP 66
Headrest angle – adjustable with gas spring	+70° – 40°
Breathing hole and bung	as standard
Weight	70 kg



### FISIOTECH SRL

**Operating headquarters:** Via Toniolo, 44/E-F - 31028 Vazzola (TV) - ITALY

**Registered office:** Via Valdoni, 19 - 31013 Cimavilla di Codognè (TV) - ITALY

Tel. +39 0438470342 - Fax +39 0438478762 - mail: [info@fisiotech.com](mailto:info@fisiotech.com) - pec: [fisiotech@emailsec.it](mailto:fisiotech@emailsec.it)

VAT number IT03765100262 - Rea TV 296956

## GIOVE1 COUCH MODELS

Description	Code RAL 7016	Code RAL 7035
Giove 1 with foot pedal. <b>"S"tandard / "C"omfort</b>	1118A20P1 <b>S/C</b>	1118A30P1 <b>S/C</b>
Giove 1 with all around foot bar switch. <b>"S"tandard / "C"omfort</b>	1118A20C1 <b>S/C</b>	1118A30C1 <b>S/C</b>
Giove 1 aluminium all around foot bar switch. <b>"S"tandard / "C"omfort</b>	1118A20A1 <b>S/C</b>	1118A30A1 <b>S/C</b>
Hydraulic Giove 1. <b>"S"tandard / "C"omfort</b>	1118A20R0 <b>S/C</b>	1118A30R0 <b>S/C</b>
Giove 1 LARGE with foot pedal . <b>"S"tandard / "C"omfort</b>	1118A21P1 <b>S/C</b>	1118A31P1 <b>S/C</b>
Giove 1 LARGE all around foot bar switch. <b>"S"tandard / "C"omfort</b>	1118A21C1 <b>S/C</b>	1118A31C1 <b>S/C</b>
Giove 1 LARGE aluminium all around foot bar switch. <b>"S"tandard / "C"omfort</b>	1118A21A1 <b>S/C</b>	1118A31A1 <b>S/C</b>
Hydraulic Giove 1 LARGE. <b>"S"tandard / "C"omfort</b>	1118A21R0 <b>S/C</b>	1118A31R0 <b>S/C</b>

## HEIGHT ADJUSTMENT SYSTEMS



Giove 1 with 24V foot pedal



Giove 1 with all around foot bar switch



Giove 1 with all around aluminium foot bar switch



Giove 1 hydraulic

## AVAILABLE STRUCTURE COLOURS

Frame color RAL 7016



Frame color RAL 7035



### FISIOTECH SRL

**Operating headquarters:** Via Toniolo, 44/E-F - 31028 Vazzola (TV) - ITALY

**Registered office:** Via Valdoni, 19 - 31013 Cimavilla di Codognè (TV) - ITALY

Tel. +39 0438470342 - Fax +39 0438478762 - mail: [info@fisiotech.com](mailto:info@fisiotech.com) - pec: [fisiotech@emailsec.it](mailto:fisiotech@emailsec.it)

VAT number IT03765100262 - Rea TV 296956

## PADDING WITH COMFORT HEAD



## TECHNICAL SPECIFICATIONS – PADDING

Name of material	Polyurethane foam
Reaction to fire class	1 IM (highest)
Density	30 kg/m <sup>3</sup>
Height	40 mm



## AVAILABLE UPHOLSTERY COLOURS



### FISIOTECH SRL

**Operating headquarters:** Via Toniolo, 44/E-F - 31028 Vazzola (TV) - ITALY

**Registered office:** Via Valdoni, 19 - 31013 Cimavilla di Codognè (TV) - ITALY

Tel. +39 0438470342 - Fax +39 0438478762 - mail: [info@fisitech.com](mailto:info@fisitech.com) - pec: [fisitech@emailsec.it](mailto:fisitech@emailsec.it)

VAT number IT03765100262 - Rea TV 296956

## TECHNICAL SPECIFICATIONS – UPHOLSTERY

FEATURE	TEST METHOD	UNIT	LIMIT VALUE
Tensile strength	UNI EN ISO 1421 Method 1	N	Lengthwise ≥ 210 Crosswise ≥ 90
Elongation strength	UNI EN ISO 1421 Method 1	%	Lengthwise ≥ 85 Crosswise ≥ 140
Determination of tear force	EN ISO 13937-2: 2000	daN	Lengthwise ≥ 2,5 Crosswise ≥ 2,2
Colour fastness to crocking	UNI EN ISO 105 X12: 2003 UNI EN ISO 105 D02: 1998	grey scale	Dry 4 Bleach 4/5 Ethyl alcohol 3/4
Determination of abrasion resistance: Martindale abrader	UNI EN ISO 5470-2: 2004	cycles	Method 1 (direct) 65.000 Method 2 (reverse) 210.000
Reaction ignition Fireproof class	UNI 9175: 1987 UNI 9175/FA1: 1994		CLASSE 1.IM
Free and hydrolyzed formaldehyde	UNI EN ISO 14184-1: 2011	mg/Kg	< 3
Phtalates	UNI EN ISO 14389: 2014	%	< 0,06
Arylamines	UNI EN ISO 14362-1: 2012	mg/Kg	Not detectable
Cleaning	Clean with damp soapy cloth and rinse well with clean water. Do not use solvents, bleaches, synthetic detergents, polishes or aerosol spray.		
Specific features	Antibacterial Fingicide		
Composition	Plasticised PVC 88% - Polyester 12%		

**FIRE RESISTANCE ACCORDING TO:**  
IMO - 2010 FTP CODE Part 8  
"Test for upholstered furniture"  
par 7.2 SMOULDERING CIGARETTE TEST  
par 7.3 PROPANE FLAME TEST  
EN 1021-1: 2006 smouldering cigarette test  
EN 1021-2: 2006 match flame equivalent test

### FISIOTECH SRL

**Operating headquarters:** Via Toniolo, 44/E-F - 31028 Vazzola (TV) - ITALY

**Registered office:** Via Valdoni, 19 - 31013 Cimavilla di Codognè (TV) - ITALY

Tel. +39 0438470342 - Fax +39 0438478762 - mail: info@fisiotech.com - pec: fisiotech@emailsec.it

VAT number IT03765100262 - Rea TV 296956

## TOP SERIES OPTIONAL ACCESSORIES

### Code 1218010 PAPER ROLL HOLDER

Metal structure to be placed under the final section of the couch.



### Code 1218020 CASTORS

Four retractable castors to be used only to move the couch.  
Ø 75 mm.



### Code 1218030 SAFETY MAGNET

Removing the magnet all electrical regulation functions are prevented. This avoids any accidental activation of the actuators.

### Code 1218040 SAFETY DOUBLE CLICK WITH MAGNET

A software that allows the movement of the actuators only through a double input of the control. This avoids any accidental activation of the actuators.

**NOT AVAILABLE ON MOVEMENT WITH ALUMINIUM ALL-AROUND FOOT BAR SWITCH.**



### Code 1218050 SWISS PLUG



### Code 1215051 UK 3-PIN PLUG



## FISIOTECH SRL

**Operating headquarters:** Via Toniolo, 44/E-F - 31028 Vazzola (TV) - ITALY

**Registered office:** Via Valdoni, 19 - 31013 Cimavilla di Codognè (TV) - ITALY

Tel. +39 0438470342 - Fax +39 0438478762 - mail: info@fisiotech.com - pec: fisiotech@emailsec.it

VAT number IT03765100262 - Rea TV 296956



## GENERIC OPTIONAL ACCESSORIES

### Code 1210020 FLOOR PAPER ROLL HOLDER

Paper roll holder for examination, massage therapy, and treatment couches.

Easy to move, powder coated metal structure.

Dimensions: length 71 cm, width 25 cm, height 81 cm

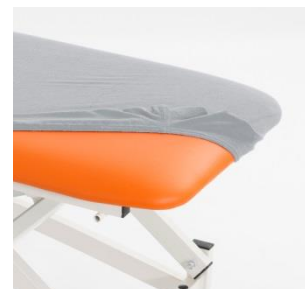


### Code 1210040 COUCH COVER

Terry towel couch cover with elasticated hem. It is suitable for any 65 cm treatment and examination couch. Washable, grey fabric.

### Code 1210050 COUCH COVER

Terry towel couch cover with elasticated hem. It is suitable for any 80 cm treatment and examination couch. Washable, grey fabric.



### Code 1210060 DOUBLE-PLY PAPER ROLL

6 rolls

Dimensions: width 60 cm – length 65 m.



## FISIOTECH SRL

**Operating headquarters:** Via Toniolo, 44/E-F - 31028 Vazzola (TV) - ITALY

**Registered office:** Via Valdoni, 19 - 31013 Cimavilla di Codognè (TV) - ITALY

Tel. +39 0438470342 - Fax +39 0438478762 - mail: [info@fisiotech.com](mailto:info@fisiotech.com) - pec: [fisiotech@emailsec.it](mailto:fisiotech@emailsec.it)

VAT number IT03765100262 - Rea TV 296956